

EXPLANATION OF ABBREVIATIONS IN CATALOGUE
VERDUIDELIKING VAN AFKORTINGS IN KATALOGUS

Calf traits	DIRECT CALF TRAITS	DIREKTE KALF EIENSKAPPE	Kalf eienskappe
Daughter traits	DAUGHTER TRAITS	DOGTER EIENSKAPPE	Dogter eienskappe
Growth traits	GROWTH	GROEI	Groei eienskappe
Efficiency traits	EFF	DOEL	Doeltreffendheids eienskappe
Reproduction traits	REPRODUCTION	REPRODUKSIE	Reproduksie eienskappe
Body measurements	MEASURE	MATES	Liggaamsmates
Lot number	Lot	Lot	Lotnommer
Ratio	R:	V:	Verhouding
Identification number	ID	ID	Identifikasienommer
Generation/Section of Herdbook	Gen	Gen	Generasie/Afdeling van kudeboek
Weight in kilogram	Wgt kg	Gew kg	Gewig in kilogram
Index	Ind	Ind	Indeks
Accuracy of breeding value	Acc	Akk	Akkuraatheid van teelwaarde
Birth direct (kg)	Birth Dir	Geb Dir	Geboorte direk (kg)
Birth maternal (kg)	Birth Mat	Geb Mat	Geboorte maternaal (kg)
Wean direct (kg)	Wean Dir	Speen Dir	Speen direk (kg)
Wean maternal (kg)	Wean Mat	Speen Mat	Speen maternaal (kg)
Mature weight (kg)	Mature Wgt	Volw Gew	Volwasse gewig (kg)
365 Days (kg)	365d	365d	365 Dae (kg)
540 Days (kg)	540d	540d	540 Dae (kg)
Average daily gain (g/day)	ADG	GDT	Gemiddelde daaglikse toename (g/dag)
Feed conversion ratio	FCR	VOV	Voeromsetverhouding
Scrotal circumference (mm)	SC	SO	Skrotum omvang (mm)
Age First Calving	AFC	OEK	Ouderdom Eerste Kalwing
Inter Calving Period	ICP	TKP	Tussen Kalf Periode
Height (mm)	Hgt	Hgt	Hoogte (mm)
Length (mm)	Lgt	Lgt	Lengte (mm)
Length : Height ratio	LHR	HLV	Lengte : Hoogte verhouding
Birth weight : Cow weight ratio	BWR	GGV	Geboortegewig : Koeigewig verhouding
Wean weight : Cow weight ratio	WWR	SGV	Speengewig : Koeigewig verhouding
Age in years and months / Number of calvings	Age / Calv	Oud / Kalw	Ouderdom in jare en maande / Aantal kalwings
Average Wean index / Number of calves	Ave WI / Calf	Gem SI / Kalf	Gemiddelde Speenindeks / Aantal kalwers
Reproduction index	R.I.	R.I.	Reproduksie Indeks
Polled	Polled	Poena	Poena
Post Wean 365 days & Post Wean 540 days	PW365 & PW540	NS365 & NS540	Naspeen 365 dae & Naspeen 540 dae
Growth test & Growth test group	GT & GTg	GT & GTg	Groei Toets & Groeitoets groep
Central test	CT	ST	Sentrale toets
Kleiber Index	KLB	KLB	Kleiber Indeks
Ouerskap Verifikasie	OV	PV	Parentage Verification



BONSMARA CATTLE BREEDERS SOCIETY OF NAMIBIA

Compiled by the South African Stud Book and Livestock Improvement Association
Pedigree- and Performance data certified correct

Auction Date: 27/08/2020
Data as on 03/08/2020 09:06:30

Lot	Seller	ID	PARENTS	Test	Breeding Value Indexes											R:	Semen Users	Breeder Own Remarks							
					DIRECT CALF TRAITS		DAUGHTER TRAITS			GROWTH		EFF.	REP	MEASUREMENTS											
		POLLED		SIRE		Genomic Tested		Birth Dir		Wean Dir		Birth Mat		Wean Mat		Mat Wgt		Post Wean		ADG	FCR	SC	Hgt	Lgt	LHR
		Gen		GV PV		DNA		Acc		Acc		Acc		Acc		Acc		Acc		Acc	Acc	Acc	Acc	Acc	BWR
				DAM		Birth Date		Wgt kg		Wgt kg		kg		kg		kg		365d Ind	540d Ind	Ind	Ind	(mm)	(mm)	(mm)	WWR

BULLS

1	THE DE KLERK TRUST	DKT 160074	SB 070073	PW540	107	85	99	101	78	87	88	94	101	85	85	-	
			<input checked="" type="checkbox"/>	DNA	0.31	6.6	-0.13	4.2	-15.0	12.7	41	-34	10.7	-11	-6	6.88	
			DKT 130044	08.11.16	33	253	100			100	99	-	-	336	-	-	
2	THE DE KLERK TRUST	DKT 160084	SB 070073	PW540	107	80	84	89	70	82	82	93	97	79	78	-	
			<input checked="" type="checkbox"/>	DNA	0.29	4.3	0.52	0.7	-24.0	9.1	14	-32	7.0	-16	-17	8.33	
			DKT 140003	08.12.16	35	235	91			91	95	-	-	349	-	-	
3	THE DE KLERK TRUST	DKT 170021	HART 110095	PW540	100	95	96	94	98	96	93	86	100	92	94	-	
			<input checked="" type="checkbox"/>	DNA	1.04	10.9	-0.02	2.1	8.0	18.7	63	-17	9.6	-5	6	8.99	
			DKT 120009	14.01.17	39	205	91			100	95	-	-	301	-	-	
4	EMOK BONSMARASTOET	ERH 170159	HART 110121	GT	95	103	85	88	84	97	93	88	116	96	102	1.12	
			<input checked="" type="checkbox"/>	DNA	1.53	14.9	0.51	0.4	-8.0	19.8	63	-21	22.4	-2	17	-	
			ERH 130159	06.12.17	37	241	109			-	103	103	356	1205	1354	56.3	
5	EMOK BONSMARASTOET	ERH 170161	ERH 130067	GT	86	110	94	71	98	111	103	102	101	88	104	1.16	
			<input checked="" type="checkbox"/>	DNA	2.48	17.9	0.11	-4.4	7.0	29.3	113	-50	10.3	-8	21	-	
			ERH 140148	06.12.17	35	236	108			-	99	95	306	1195	1384	57.6	
6	EMOK BONSMARASTOET	ERH 170175	HART 060074	GT	120	84	86	86	84	89	94	88	111	69	79	1.11	
			<input checked="" type="checkbox"/>	DNA	-1.08	6.2	0.46	-0.2	-8.0	14.2	69	-21	18.9	-24	-15	-	
			ERH 120096	14.12.17	35	207	92			-	121	118	354	1159	1288	46.6	

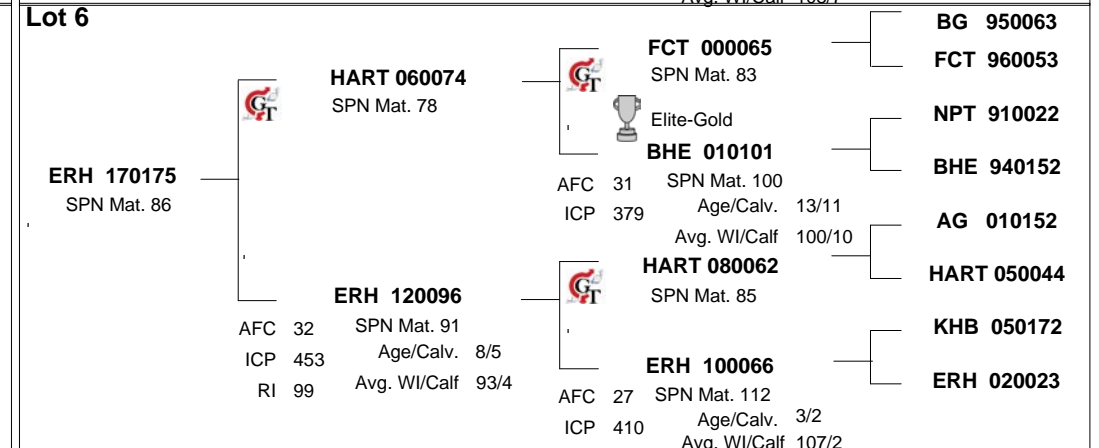
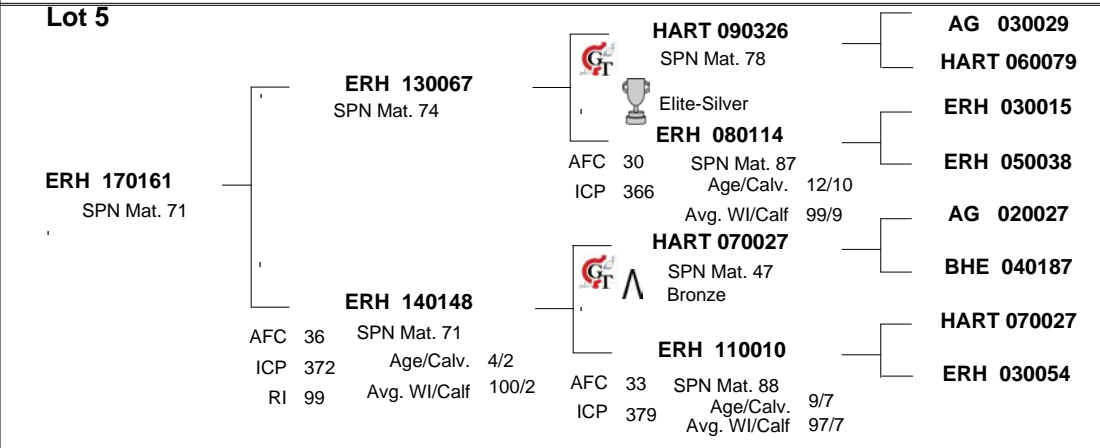
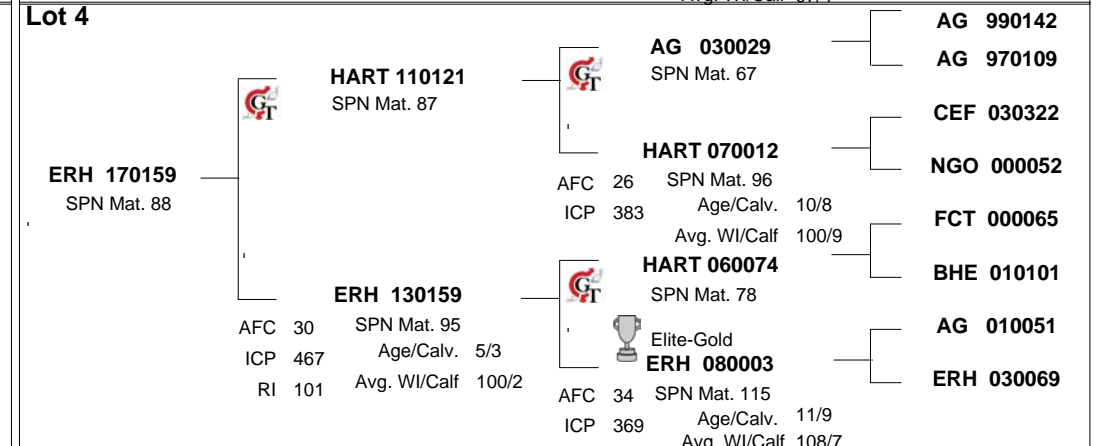
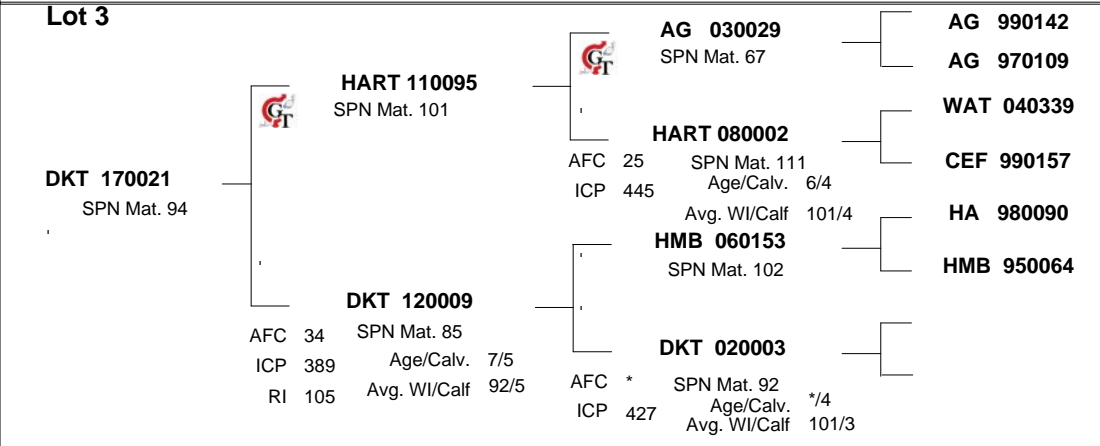
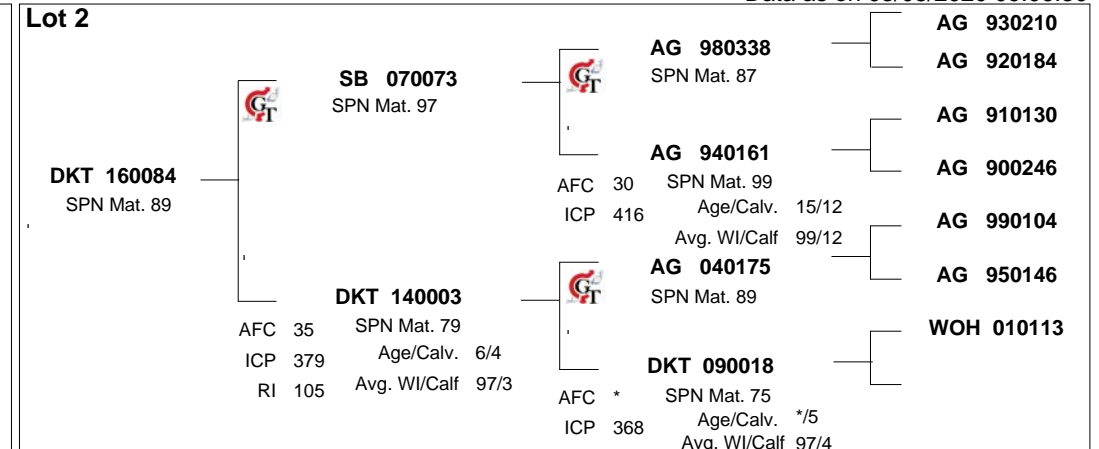
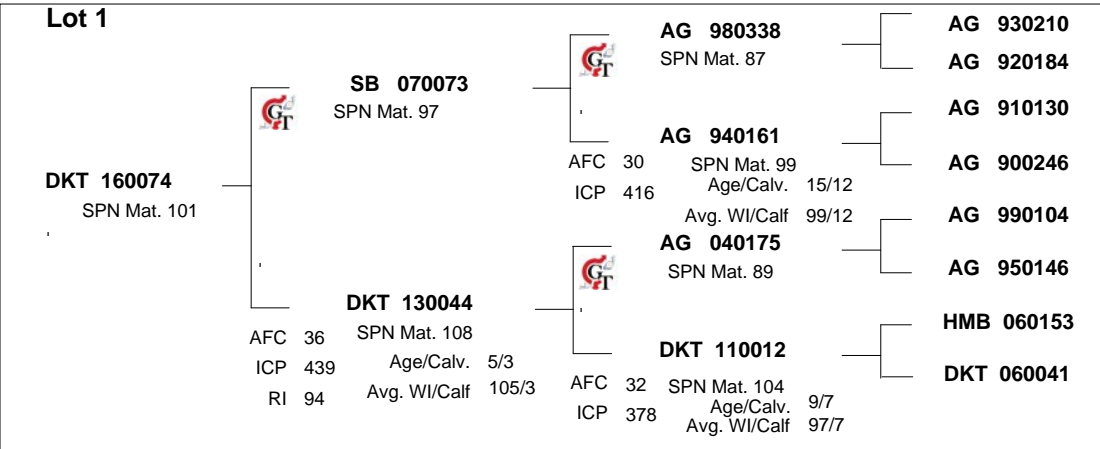
1.02	13.4	-0.19	3.9	10	21.8	97	-46	9.7	2	14
------	------	-------	-----	----	------	----	-----	-----	---	----

BONSARA CATTLE BREEDERS SOCIETY OF NAMIBIA

Compiled by the South African Stud Book and Livestock Improvement Association

Auction Date: 27/08/2020

Data as on 03/08/2020 09:06:30

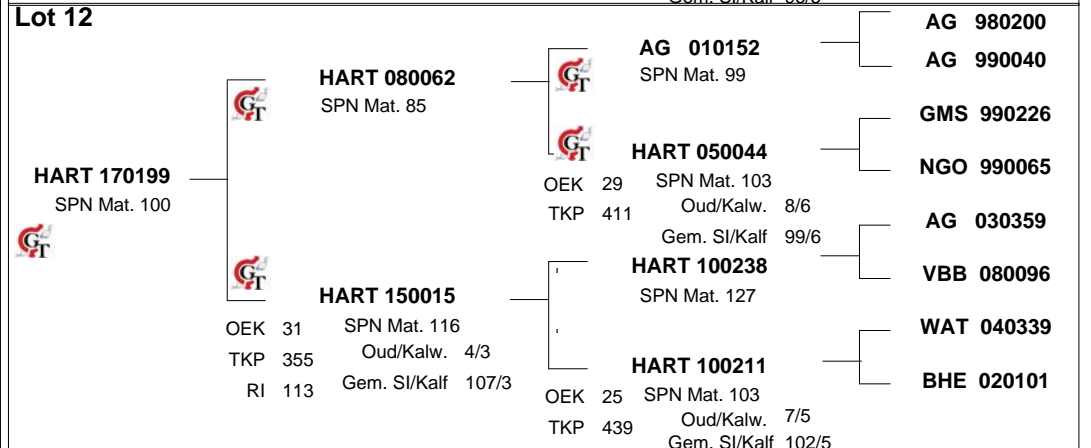
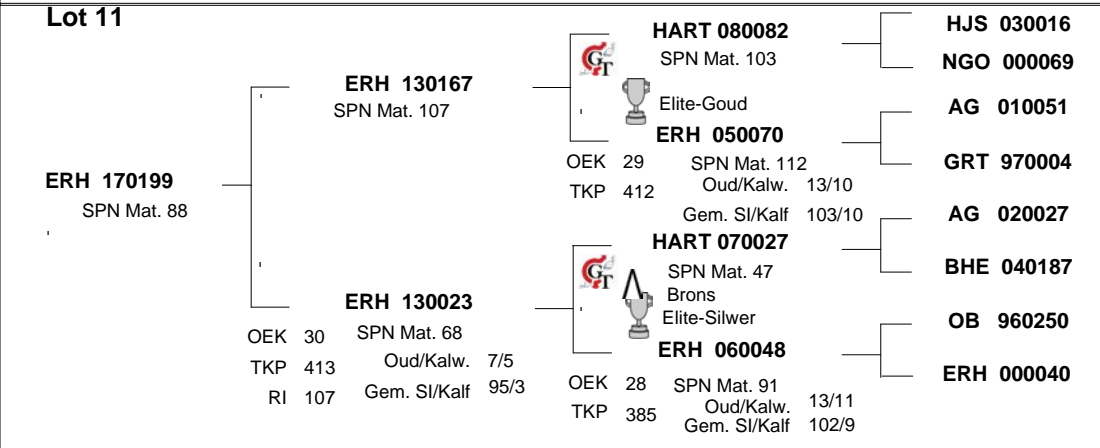
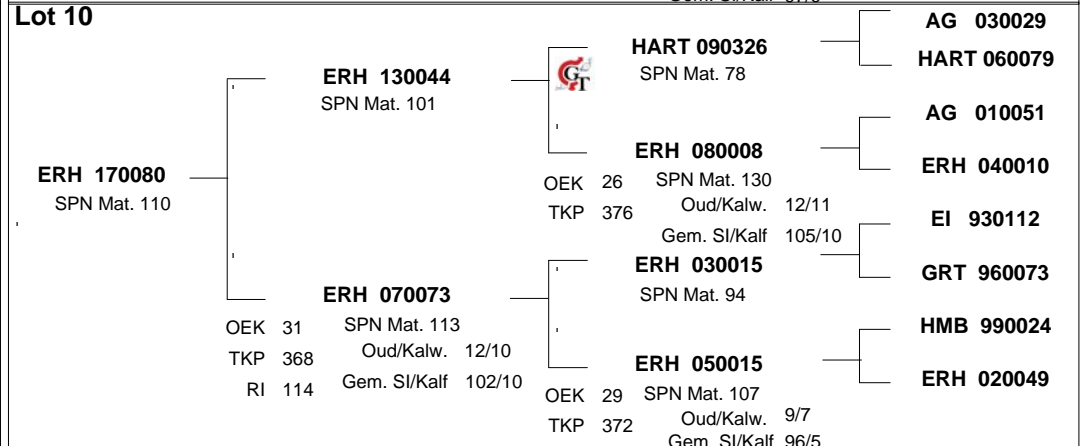
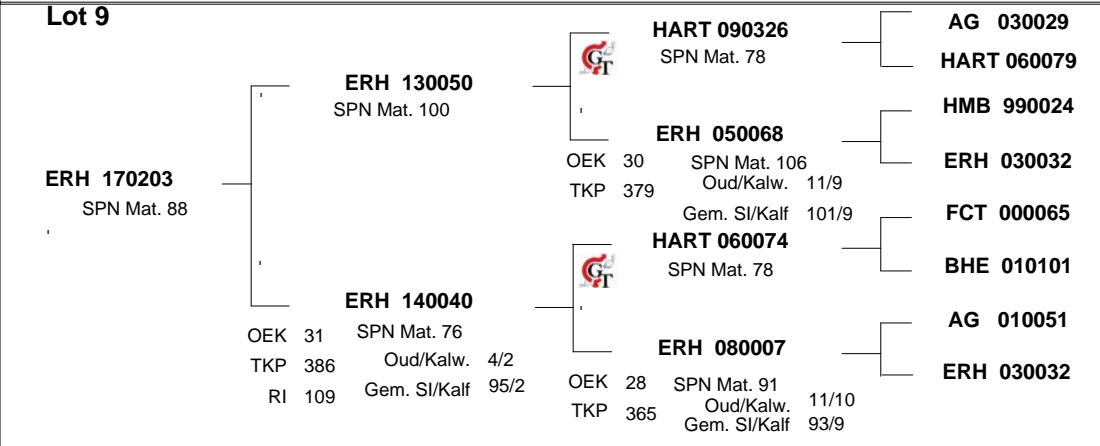
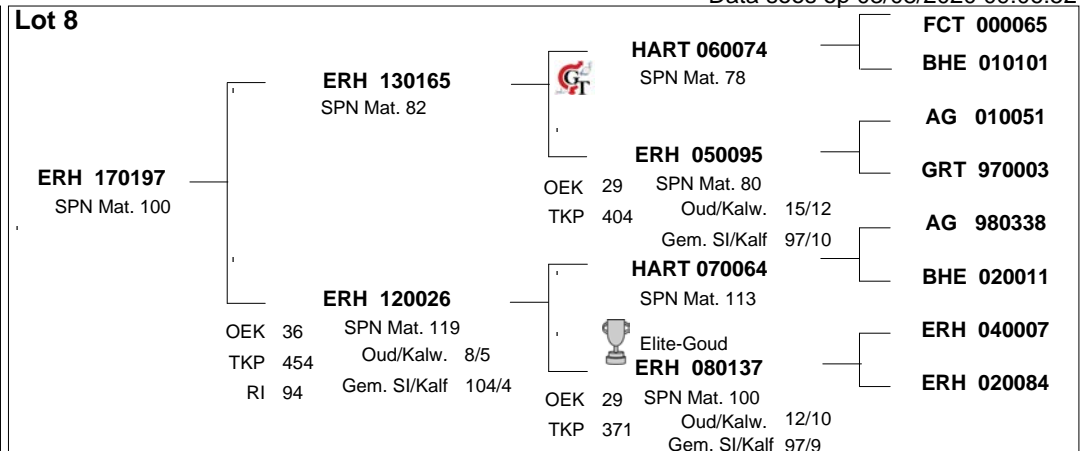
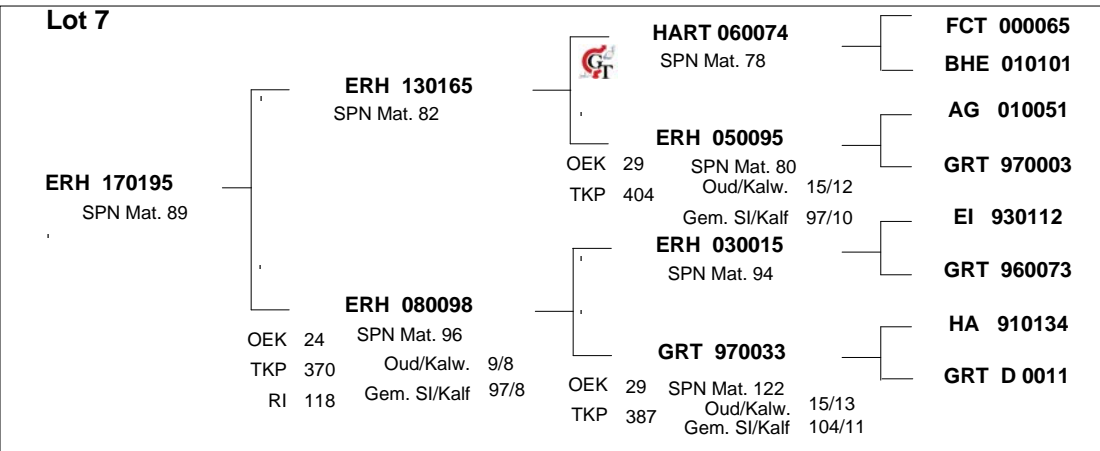


BOONSARA BEESTELERSNOOTSAP VAN NAMIBIA

Saamgestel deur die Suid-Afrikaanse Stamboek- en Veeverbeteringsvereniging

Veilingsdatum: 27/08/2020

Data soos op 03/08/2020 09:06:52





BONSMARA CATTLE BREEDERS SOCIETY OF NAMIBIA

Compiled by the South African Stud Book and Livestock Improvement Association
Pedigree- and Performance data certified correct

Auction Date: 27/08/2020
Data as on 03/08/2020 09:07:04

Lot	Seller	ID	PARENTS	Test	Breeding Value Indexes											R:	Semen Users	Breeder Own Remarks									
					DIRECT CALF TRAITS		DAUGHTER TRAITS			GROWTH		EFF.	REP	MEASUREMENTS													
		POLLED		SIRE		Genomic Tested		Birth Dir		Wean Dir		Birth Mat		Wean Mat		Mat Wgt		Post Wean		ADG	FCR	KLB	SC	Hgt	Lgt	LHR	
		Gen		GV PV		DNA		Acc		Acc		Acc		Acc		Acc		Acc		Acc	Acc	Acc	Acc	Acc	Acc	BWR	
				DAM		Birth Date		Wgt kg		Wgt kg		Ind		kg		kg		kg		365d Ind	540d Ind	Ind	Ind	(mm)	(mm)	(mm)	WWR

BULLS

13	TRISTONE BUSINESS TRUST 2	HT 170012 HH SP	HART 130379	GTg	115	90	101	95	90	89	96	100	87	81	89	1.15				
				<input checked="" type="checkbox"/>		-0.53	9.0	-0.23	2.5	-2.0	14.0	77	-47	-1.1	-14	-1	-			
			HT 130347 P	02.04.17	39	225	100					-		97	100	319	1169	1343	54.6	
14	HOCHFELDSTREEK BONSMARAS	HMB 170043 SP	HART 120425	GT	112	80	94	103	80	87	102	114	91	81	80	1.1				
				<input checked="" type="checkbox"/>	DNA	-0.20	4.3	0.09	4.8	-12.0	12.9	107	-76	2.4	-14	-14	-			
			HMB 140097	23.09.17	32	223	90					-		100	101	330	1172	1289	46	
15	HOCHFELDSTREEK BONSMARAS	HMB 170055 SP	HART 120425	GT	99	98	94	105	88	96	101	108	100	86	86	1.13				
				<input checked="" type="checkbox"/>	DNA	1.14	12.3	0.07	5.3	-4.0	19.2	104	-63	9.9	-10	-5	-			
			HMB 140095	09.10.17	38	247	99					-		102	102	352	1170	1317	49.9	
16	HOCHFELDSTREEK BONSMARAS	HMB 170090 SP	HMB 130014	GT	93	94	83	89	107	93	83	85	80	75	89	1.14				
				<input checked="" type="checkbox"/>	DNA	1.77	10.8	0.59	0.8	18.0	16.9	16	-14	-6.4	-19	-2	-			
			HMB 110153	12.11.17	39	240	95					-		94	99	315	1145	1306	44.4	
17	HOCHFELDSTREEK BONSMARAS	HMB 170091 SP	HMB 130014	GT	85	103	89	118	115	108	94	88	83	101	107	1.13				
				<input checked="" type="checkbox"/>	DNA	2.61	14.8	0.32	8.9	26.0	27.5	68	-20	-3.6	2	24	-			
			HMB 090004	12.11.17	39	259	104					-		106	102	313	1205	1356	46.3	
18	HOCHFELDSTREEK BONSMARAS	HMB 170103 SP	HMB 130014	GT	90	100	89	91	105	98	97	100	98	87	93	1.09				
				<input checked="" type="checkbox"/>	DNA	2.12	13.3	0.33	1.3	16.0	20.4	82	-47	7.8	-9	5	-			
			HMB 110129	23.11.17	39	241	96					-		94	96	347	1210	1322	48.7	

1.02	13.4	-0.19	3.9	10	21.8	97	-46	9.7	2	14
------	------	-------	-----	----	------	----	-----	-----	---	----

BONSARA CATTLE BREEDERS SOCIETY OF NAMIBIA

Compiled by the South African Stud Book and Livestock Improvement Association

Auction Date: 27/08/2020

Data as on 03/08/2020 09:07:04

Lot 13

<p>HT 170012 SPN Mat. 95</p>	<p>HART 130379 SPN Mat. 109</p>	<p>AG 030359 SPN Mat. 136</p> <p>Elite-Bronze</p> <p>HART 100151 AFC 29 SPN Mat. 88 ICP 383 Age/Calv. 9/7 Avg. WI/Calv 95/7</p> <p>MRW 090110 SPN Mat. 65</p> <p>HT 090038 AFC * SPN Mat. 94 ICP 442 Age/Calv. */6 Avg. WI/Calv 101/5</p>	<p>AG 00010 AG 010052 HART 060058 VBB 070302 JPL 060105 MRW 940232</p>
---	--	---	--

Lot 14

<p>HMB 170043 SPN Mat. 103</p>	<p>HART 120425 SPN Mat. 101</p>	<p>ADV 060198 SPN Mat. 117</p> <p>WCS 020078 AFC 38 SPN Mat. 75 ICP 363 Age/Calv. 11/9 Avg. WI/Calv 100/8</p> <p>HART 090073 SPN Mat. 95</p> <p>HMB 140097 AFC 35 SPN Mat. 103 ICP 379 Age/Calv. 5/3 RI 102 Avg. WI/Calv 101/2</p> <p>HMB 070171 AFC 34 SPN Mat. 94 ICP 381 Age/Calv. 10/8 Avg. WI/Calv 97/8</p>	<p>SYF 020051 AG 970118 AG 940121 WCS 940042 AG 010152 HART 050027 EI 970024 HMB 030063</p>
---	--	---	---

Lot 15

<p>HMB 170055 SPN Mat. 105</p>	<p>HART 120425 SPN Mat. 101</p>	<p>ADV 060198 SPN Mat. 117</p> <p>WCS 020078 AFC 38 SPN Mat. 75 ICP 363 Age/Calv. 11/9 Avg. WI/Calv 100/8</p> <p>HART 090073 SPN Mat. 95</p> <p>HMB 140095 AFC 36 SPN Mat. 108 ICP 373 Age/Calv. 5/3 RI 102 Avg. WI/Calv 107/2</p> <p>HMB 060154 AFC 33 SPN Mat. 97 ICP 372 Age/Calv. 9/7 Avg. WI/Calv 98/7</p>	<p>SYF 020051 AG 970118 AG 940121 WCS 940042 AG 010152 HART 050027 EI 970177 HMB 950100</p>
---	--	--	---

Lot 16

<p>HMB 170090 SPN Mat. 89</p>	<p>HMB 130014 SPN Mat. 93</p>	<p>AG 030130 SPN Mat. 100</p> <p>HMB 100030 AFC 33 SPN Mat. 87 ICP 377 Age/Calv. 10/8 Avg. WI/Calv 100/5</p> <p>HMB 040126 SPN Mat. 90</p> <p>HMB 110153 AFC 34 SPN Mat. 85 ICP 383 Age/Calv. 8/6 RI 107 Avg. WI/Calv 96/5</p> <p>HMB 030073 AFC 43 SPN Mat. 91 ICP 399 Age/Calv. 9/6 Avg. WI/Calv 94/6</p>	<p>EI 980080 AG 000234 AEJ 060107 HMB 050086 EI 970024 HMB 010005 HMB 990014 HMB 000125</p>
--	--	--	---

Lot 17

<p>HMB 170091 SPN Mat. 118</p> <p>Elite-Silver</p> <p>HMB 090004 AFC 34 SPN Mat. 139 ICP 366 Age/Calv. 9/7 RI 111 Avg. WI/Calv 111/6</p>	<p>HMB 130014 SPN Mat. 93</p>	<p>AG 030130 SPN Mat. 100</p> <p>HMB 100030 AFC 33 SPN Mat. 87 ICP 377 Age/Calv. 10/8 Avg. WI/Calv 100/5</p> <p>HMB 040126 SPN Mat. 90</p> <p>Elite-Silver</p> <p>HMB 040054 AFC 35 SPN Mat. 131 ICP 368 Age/Calv. 9/7 Avg. WI/Calv 107/7</p>	<p>EI 980080 AG 000234 AEJ 060107 HMB 050086 EI 970024 HMB 010005 HA 970154 HMB 950074</p>
--	--	---	--

Lot 18

<p>HMB 170103 SPN Mat. 91</p>	<p>HMB 130014 SPN Mat. 93</p>	<p>AG 030130 SPN Mat. 100</p> <p>HMB 100030 AFC 33 SPN Mat. 87 ICP 377 Age/Calv. 10/8 Avg. WI/Calv 100/5</p> <p>AG 070324 SPN Mat. 82</p> <p>HMB 110129 AFC 30 SPN Mat. 86 ICP 405 Age/Calv. 8/6 RI 108 Avg. WI/Calv 94/5</p> <p>HMB 010128 AFC 33 SPN Mat. 112 ICP 373 Age/Calv. 10/8 Avg. WI/Calv 102/8</p>	<p>EI 980080 AG 000234 AEJ 060107 HMB 050086 AG 03 0256 AG 000121 EI 970177 HMB 960073</p>
--	--	--	--



BONSMARA BEESTELERSGENOOTSAP VAN NAMIBIA

Saamgestel deur die Suid-Afrikaanse Stamboek- en Veeverbeteringsvereniging
Stamboom- en Prestasiedata korrek gesertifiseer

Veilingsdatum: 27/08/2020
Data soos op 03/08/2020 09:07:14

Lot	Verkoper	ID POENA Gen	OUERS		Toets	Teelwaarde indekse													Semen Gebruikers	Gebruiker Eie Opmerkings
			VADER GV OV	MOEDER GV OV		Genomies Getoets	DNS	Geb Dir	Speen Dir	Geb Mat	Speen Mat	Volw Gew	Naspeen	GDT	VOV KLB	SO	Hgt	Lgt		
				Geb. dat.	Gew kg	Gew kg	Ind	kg	kg	kg	365d Ind	540d Ind	Ind	Ind	(mm)	(mm)	(mm)			

BULLE

19	HOCHFELDSTREEK BONSMARAS	HART 130252	AG 030359	GT	104	111	102	98	99	123	116	105	130	102	109	1.19		
			HH <input checked="" type="checkbox"/>	DNS	0.62 93	18.5 90	-0.30 61	3.3 64	9.0 53	37.8 82	174 75	-56 23	34.0 81	3 83	27 80	-		
			HART 100176 <input checked="" type="checkbox"/>	02.09.13	33	265	101				-	110	108	379	1227	1455	53.2	

1.02	13.4	-0.19	3.9	10	21.8	97	-46	9.7	2	14
------	------	-------	-----	----	------	----	-----	-----	---	----

BONSMARA BEESTELERSGENOOTSAP VAN NAMIBIA

Saamgestel deur die Suid-Afrikaanse Stamboek- en Veeverbeteringsvereniging

Veilingsdatum: 27/08/2020
Data soos op 03/08/2020 09:07:14

Lot 19

HART 130252
SPN Mat. 98



AG 030359
SPN Mat. 136

OEK 25 SPN Mat. 70
TKP 433 Oud/Kalw. 8/6
RI 108 Gem. Si/Kalf 97/7

HART 100176

AG 000010
SPN Mat. 125

OEK 30 SPN Mat. 102
TKP 412 Oud/Kalw. 12/9
Gem. Si/Kalf 101/9

MMJ 030164
SPN Mat. 50

OEK 24 SPN Mat. 91
TKP 456 Oud/Kalw. 6/4
Gem. Si/Kalf 95/4

AG 960184
AG 960062

AG 980338
AG 980112

RCO 980037
MMJ 990334

RCO 990110
AG 000214